

D30® MET GUARDS

D30 uses patented, patent-pending and proprietary technologies to make rate-sensitive, soft, flexible materials with high shock absorbing properties.

In a market saturated with inflexible, uncomfortable and sub-standard metatarsal protection, D30® Met Guards offer a low profile, soft and flexible solution.

PRODUCT FEATURES

- Integrated correctly into a boot, the D30® Met Guards pass EN and ASTM industry metatarsal protection standards
- Features D30® patented technology in a lightweight, flexible form ensures both impact protection and comfort



GUARD EXPLODED VIEW



PIECE INTEGRATED INSIDE BOOT TONGUE

TOTAL COVERAGE AND THICKNESS DELIVERS ULTIMATE PROTECTION



STREAMLINED



TAPERED EDGES FOR BETTER INTEGRATION



©2018 Design Blue Limited. All rights reserved.

Values shown represent typical product characteristics. For full details including material properties and product tolerances, please request SOQ document from D30 representative. The information provided is not intended to and does not create any warranties, expressed or implied, including any warranty of merchantability of fitness for a particular purpose. In accordance with the Company's policy of continuous improvement, D30 reserves the right to apply such improvements to its products and materials without notice. This data sheet shall not be reproduced or amended without the written consent of Design Blue Limited.

For more information on the D30® Met Guards please contact your D30 Business Development Manager

TRUSTED IMPACT PROTECTION™

D30® MET GUARDS



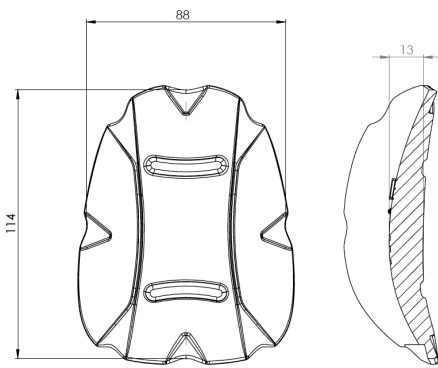
WINGED



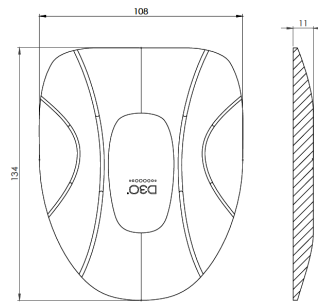
STANDARD



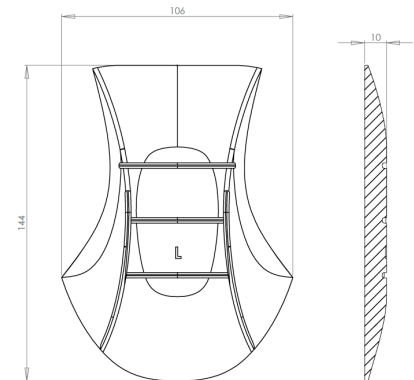
F16



WINGED



STANDARD



F16

D30® Met Guards - Product Details

Product Name	Winged Met Guard Small	Winged Met Guard Medium	Winged Met Guard Large	F16 Met Guard Small	F16 Met Guard Medium	F16 Met Guard Large	Standard Met Guard Small	Standard Met Guard Medium	Standard Met Guard Large
Product Code	13153	13154	13155	13152	13150	13151	13157	13156	13158
Material Code	SF005	SF005	SF005	SF005	SF005	SF005	SF005	SF005	SF005
Dimensions (mm)	80 x 104	88 x 114	96 x 124	89 x 122	98 x 134	106 x 144	104 x 128	108 x 134	123 x 152
Thickness (mm)	13	13	13	10	10	10	10	10	10
Weight (g)	25.1	30.3	35.7	23.7	28.4	33.1	33.7	36.3	47.4

©2018 Design Blue Limited. All rights reserved.

Values shown represent typical product characteristics.
For full details including material properties and product tolerances, please request SOQ document from D30 representative. The information provided is not intended to and does not create any warranties, expressed or implied, including any warranty of merchantability of fitness for a particular purpose. In accordance with the Company's policy of continuous improvement, D30 reserves the right to apply such improvements to its products and materials without notice. This data sheet shall not be reproduced or amended without the written consent of Design Blue Limited.

TRUSTED IMPACT PROTECTION™