

D3O® T5 EVO PRO X

D3O uses patented, patent-pending and proprietary technologies to make rate-sensitive, soft, flexible materials with high shock absorbing properties.

The D3O® T5 EVO Pro X offers increased durability.

The D3O® EVO Pro X parts provide greater impact protection than the D3O® EVO X, delivering Type B coverage. They are CE certified to level 2 across ambient, wet and cold conditions..

PRODUCT FEATURES

- Manufactured in a highly durable material
- CE certified to EN 1621-1:2012
- UKCA Certified
- Level 2 in ambient, wet and cold conditions
- Type B coverage
- Temperature stable

D3O® T5 EVO PRO X



ELBOW



KNEE



HIP



SHOULDER

PAD INTEGRATION EXAMPLE



PADS INTEGRATED INSIDE TROUSERS AND JACKET

FLEXIBILITY FEATURE FOR ADDED COMFORT



DESIGNED FOR IMPROVED AIRFLOW



TAPERED EDGES FOR BETTER INTEGRATION



©2018 Design Blue Limited. All rights reserved.

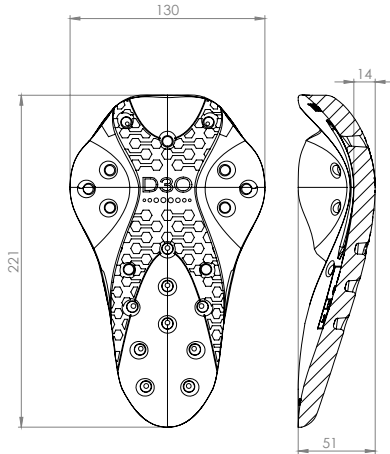
Values shown represent typical product characteristics. For full details including material properties and product tolerances, please request SOQ document from D3O representative. The information provided is not intended to and does not create any warranties, expressed or implied, including any warranty of merchantability of fitness for a particular purpose. In accordance with the Company's policy of continuous improvement, D3O reserves the right to apply such improvements to its products and materials without notice. This data sheet shall not be reproduced or amended without the written consent of Design Blue Limited.

For more information on the D3O® T5 EVO Pro X, please contact your D3O Business Development Manager

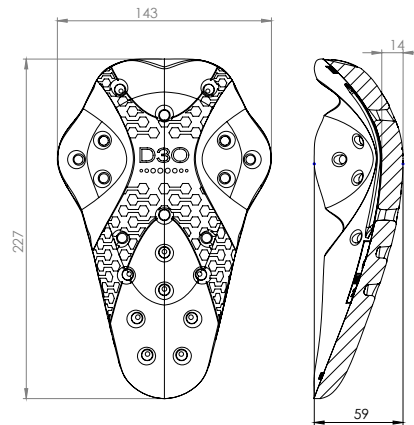
TRUSTED IMPACT PROTECTION™

D30® T5 EVO PRO X

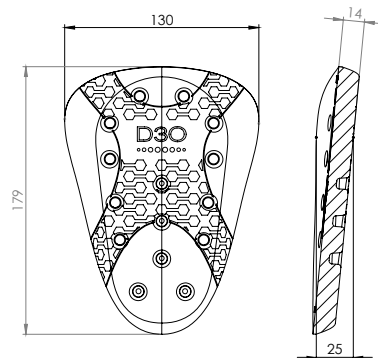
ELBOW



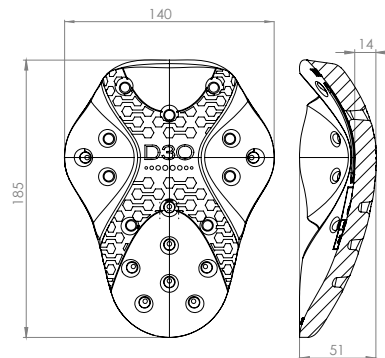
KNEE



HIP



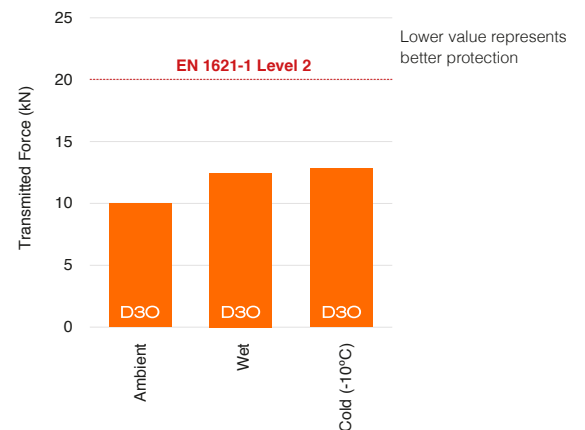
SHOULDER



D30® T5 EVO Pro X - Product Details

Product Name	D30® T5 EVO Pro X Elbow	D30® T5 EVO Pro X Knee	D30® T5 EVO Pro X Shoulder	D30® T5 EVO Pro X Hip
Product Code	12188	12187	12189	12186
Material Code	SF005	SF005	SF005	SF005
Dimensions (mm)	221 x 130	227 x 143	185 x 140	178 x 130
Thickness (mm)	14	14	14	14
Weight (g)	130	123	105	83.8

D30® T5 EVO Pro X - Tested to EN 1621-1



©2018 Design Blue Limited. All rights reserved.

Values shown represent typical product characteristics. For full details including material properties and product tolerances, please request SOQ document from D30 representative. The information provided is not intended to and does not create any warranties, expressed or implied, including any warranty of merchantability or fitness for a particular purpose. In accordance with the Company's policy of continuous improvement, D30 reserves the right to apply such improvements to its products and materials without notice. This data sheet shall not be reproduced or amended without the written consent of Design Blue Limited.

TRUSTED IMPACT PROTECTION™