

D3O® HEEL INSERTS

D3O® HEEL INSERTS

D3O uses patented, patent-pending and proprietary technologies to make rate-sensitive, soft, flexible materials with high shock absorbing properties.

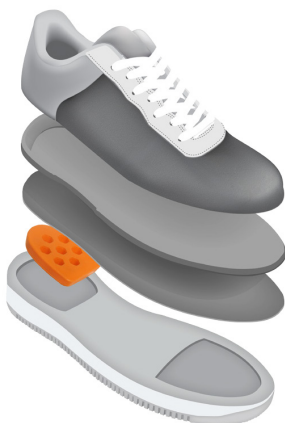
The D3O® heel inserts featuring D3O® Decell material gives both long-term cushioning and shock attenuation. The D3O® heel insert offers easy integration of D3O® technology into midsoles.

PRODUCT FEATURES

- Patented D3O® technology
- Durable, high performing D3O® Decell throughout
- Available in two sizes and three thicknesses to suit all applications
- Easy to integrate
- Optimised profile for a range of midsoles



HEEL EXPLODED VIEW



EASILY INTEGRATED INTO MIDSOLES



PERFORATED AND STANDARD GEOMETRIES



AVAILABLE IN TWO SIZES AND THREE THICKNESSES



©2020 Design Blue Limited. All rights reserved.

Values shown represent typical product characteristics. For full details including material properties and product tolerances, please request SOQ document from D3O representative. The information provided is not intended to and does not create any warranties, expressed or implied, including any warranty of merchantability of fitness for a particular purpose. In accordance with the Company's policy of continuous improvement, D3O reserves the right to apply such improvements to its products and materials without notice. This data sheet shall not be reproduced or amended without the written consent of Design Blue Limited.

For more information on the D3O® Heel Inserts, please contact your D3O Business Development Manager

TRUSTED IMPACT PROTECTION™

D30® HEEL INSERTS

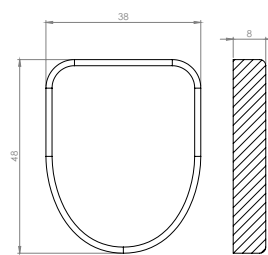
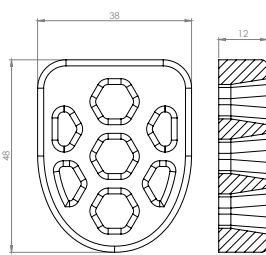
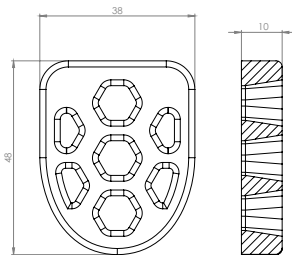
PERFORATED INSERT

STANDARD INSERT

SMALL 10MM HEEL INSERT

SMALL 12MM HEEL INSERT

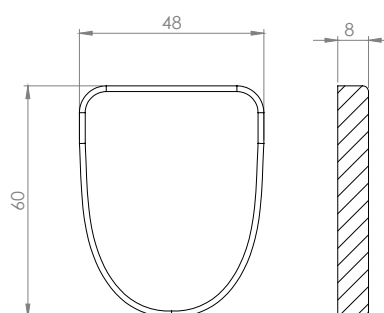
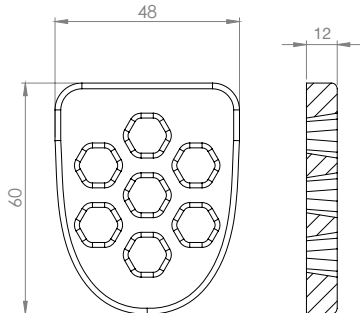
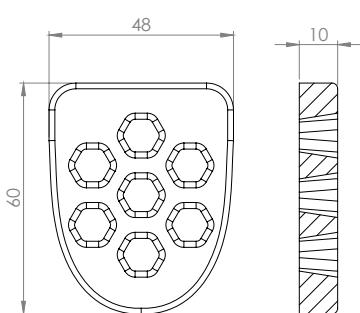
SMALL 8MM HEEL INSERT



LARGE 10MM HEEL INSERT

LARGE 12MM HEEL INSERT

LARGE 8MM HEEL INSERT



D30® Heel Inserts - Product Details

Type	Perforated Insert			Standard Insert		
Product Name	Small 10mm Heel Insert	Small 12mm Heel Insert	Large 10mm Heel Insert	Large 12mm Heel Insert	Small 8mm Heel Insert	Small 8mm Heel Insert
Product Code	11249	11247	11246	11244	11248	11245
Material Code	SF007	SF007	SF007	SF007	SF007	SF007
Dimensions (mm)	38 x 48	38 x 48	48 x 60	48 x 60	38 x 48	38 x 48
Thickness (mm)	10	12	10	12	8	8

©2020 Design Blue Limited. All rights reserved.

Values shown represent typical product characteristics. For full details including material properties and product tolerances, please request SOQ document from D30 representative. The information provided is not intended to and does not create any warranties, expressed or implied, including any warranty of merchantability of fitness for a particular purpose. In accordance with the Company's policy of continuous improvement, D30 reserves the right to apply such improvements to its products and materials without notice. This data sheet shall not be reproduced or amended without the written consent of Design Blue Limited.

TRUSTED IMPACT PROTECTION™